
CTF-MS

Countertop Freezer with
Merchandising Sign



CTF4MS



Profit from the Power of Partnership.

800.441.4014

www.excellenceindustries.com

CTF Countertop Freezer w/ Merchandising Sign

CTF 2MS



CTF 4MS



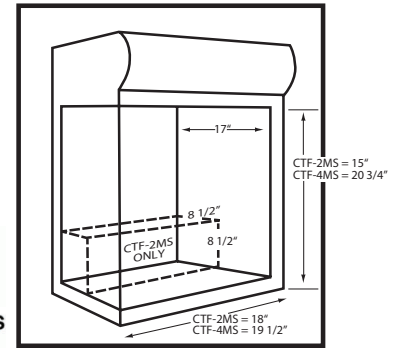
Technical Summary

Model	Size				Electrical			Refrigeration		Other		
	Dimensions (inches) Length x Depth x Height	Cubic Feet	Net Weight (lbs.)	Shipping Weight (lbs.)	Voltage/Hz/Phase	Running Amps	KWh/24hr	Compressor HP	Refrigerant	Temperature	No. of Shelves	Container Quantity
CTF-2MS	22 1/2 x 21 1/2 x 26 1/2	1.8	93	101	115/60/1	2.1	1.7	1/4	R-134a	0° to -13°F	2	171
CTF-4MS	24 x 22 x 35	4.1	119	130	115/60/1	3.6	3.5	2/5	R-134a	0° to -13°F	3	114

SPECIAL FEATURES

- Interior LED light for clear product display
- Fully insulated glass door
- Three adjustable shelves - CTF-3
- Two adjustable shelves - CTF-2
- Standard door lock
- Standard right hinge self-closing door
- Optional light emitting door (Minimum quantities apply)

Internal Dimensions



Profit from the Power of Partnership.

Excellence Industries is a division of Stajac Industries, Inc. The company reserves the right to change the design and/or specifications of these products without notice. Printed in the U.S.A. (2/15)

Innovation
Logistics
Distribution
Leasing
Service
Recycling
Refurbishing

3710 Corporex Park Drive, Ste. 100 | Tampa, FL 33619 | 800.441.4014

www.excellenceindustries.com